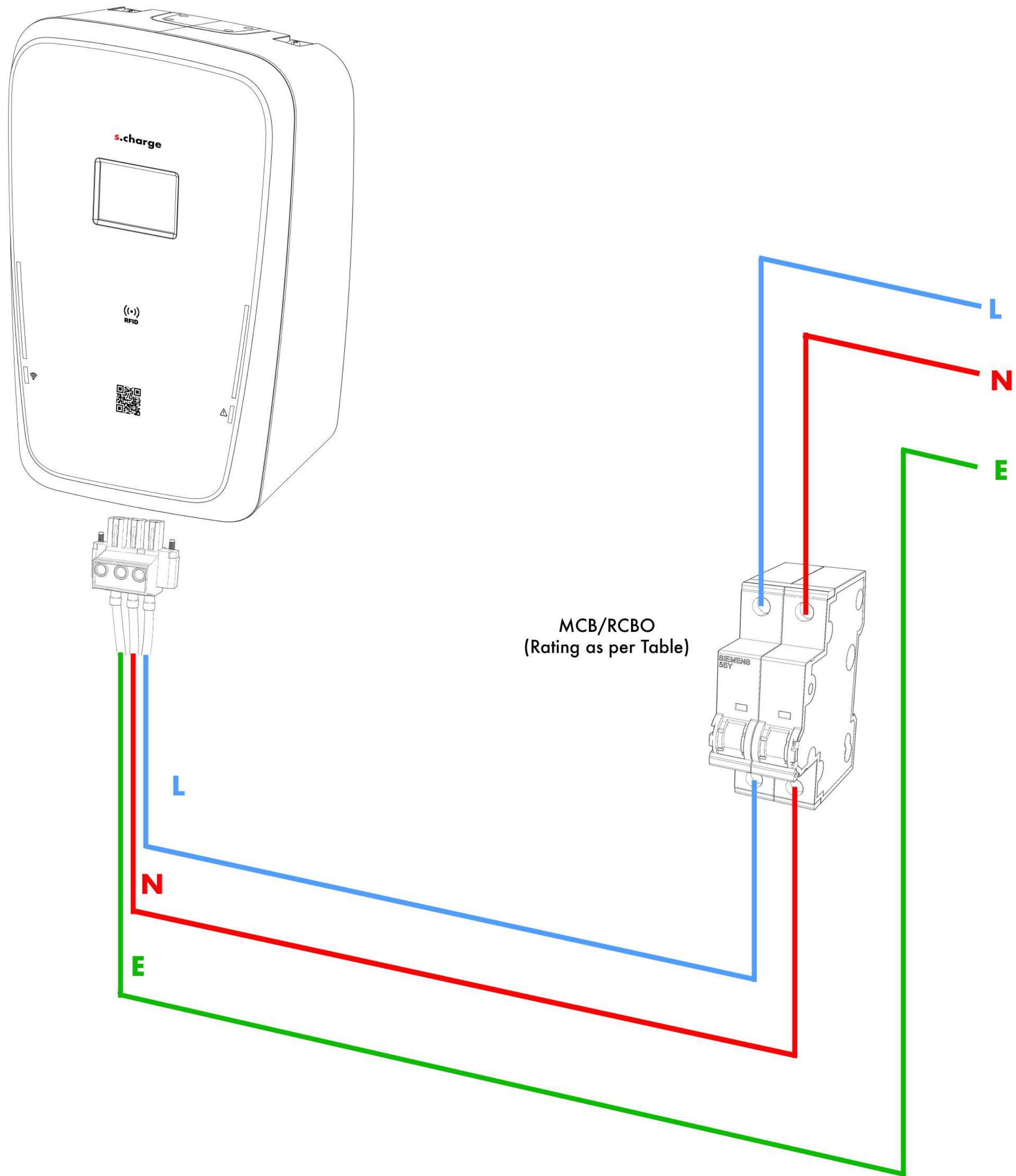
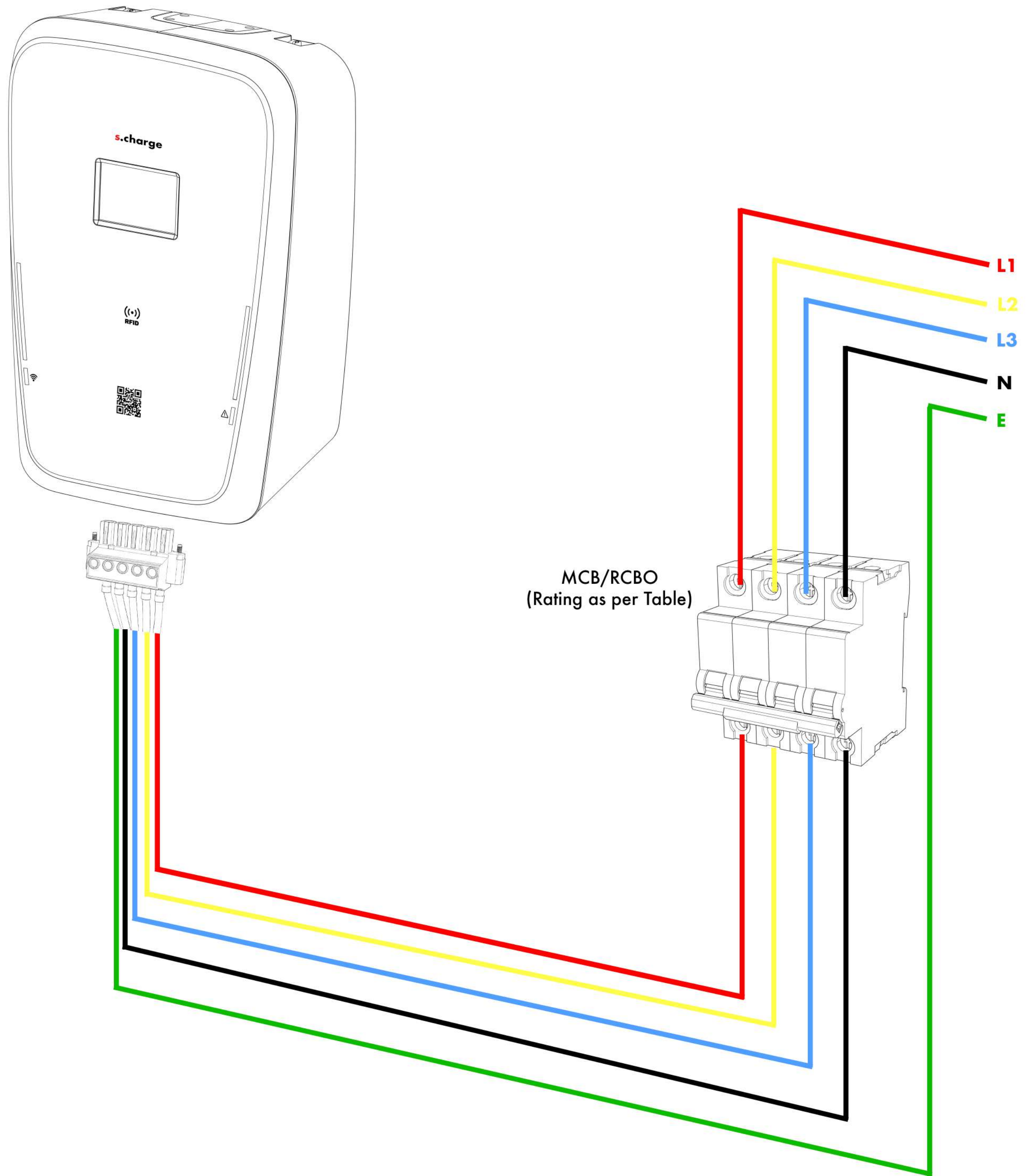


A1.AC Type 2 Pro EV Charger **Electrical Specifications**



VARIANT	INPUT POWER	EXTERNAL RCBO	CABLE SIZE	GUN 01	GUN 02
A1.701	230V, 32A, 7.4 kW, 1 PHASE	2 Pole, Type A, 40A,30mA RCBO	6sqmm Cu Cable 3 Core	230V, 32A, 7.4 kW, 1 PHASE	-
A1.702	230V, 64A, 14.8 kW 1 PHASE	2 Pole, Type A, 80A,30mA RCBO	16sqmm Cu Cable 3 Core	230V, 32A, 7.4 kW, 1 PHASE	230V, 32A, 7.4kW, 1 PHASE



VARIANT	INPUT POWER	EXTERNAL RCBO	CABLE SIZE	GUN 01	GUN 02
A1.1101	400V, 16A,11kW, 3 PHASE	4 POLE, TYPE A, 30A, 30mA	2.5 Sq. MM Cu,4 CORE + 2.5 Sq.MM Cu, 1 CORE - Earthing Conductor	400V, 16A,11kW, 3 PHASE	-
A1.1102	400V, 32A,22kW, 3 PHASE	4 POLE, TYPE A, 40A, 30mA	6 Sq. MM Cu, 4 CORE + 6 Sq.MM Cu, 1 CORE- Earthing Conductor	400V, 16A,11kW, 3 PHASE	400V, 16A,11kW, 3 PHASE
A1.2201	400V, 32A,22kW, 3 PHASE	4 POLE, TYPE A, 40A, 30mA	6 Sq. MM Cu,4 CORE + 6 Sq.MM Cu, 1 CORE - Earthing Conductor	400V, 32A,22kW, 3 PHASE	-
A1.2202	400V, 64A,44kW, 3 PHASE	4 POLE, TYPE A, 80A, 30mA	16 Sq. MM Cu, 4 CORE + 16 Sq.MM Cu, 1 CORE-Earthing Conductor	400V, 32A,22kW, 3 PHASE	400V, 32A,22kW, 3 PHASE

